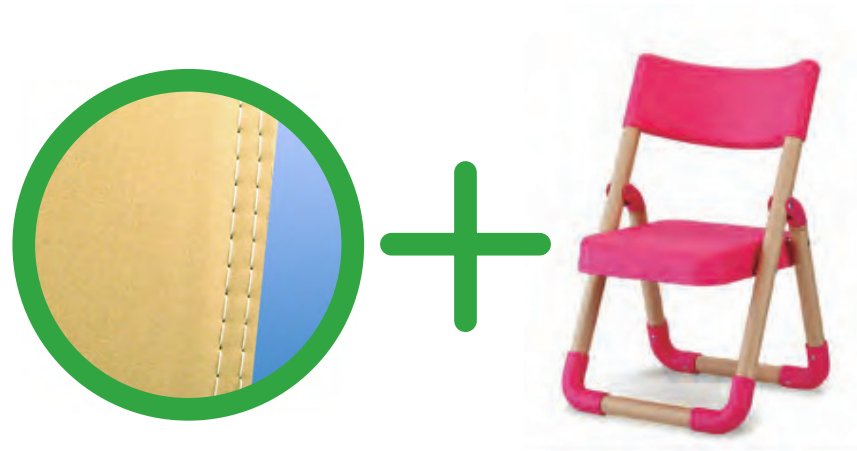


Matching Business ● Tawada Co., Ltd. + Sankei Industry Co., Ltd

Developing an Eco-Packaging Box for HECMEC



Eco-Pro-Net

Network Construction



Development theme

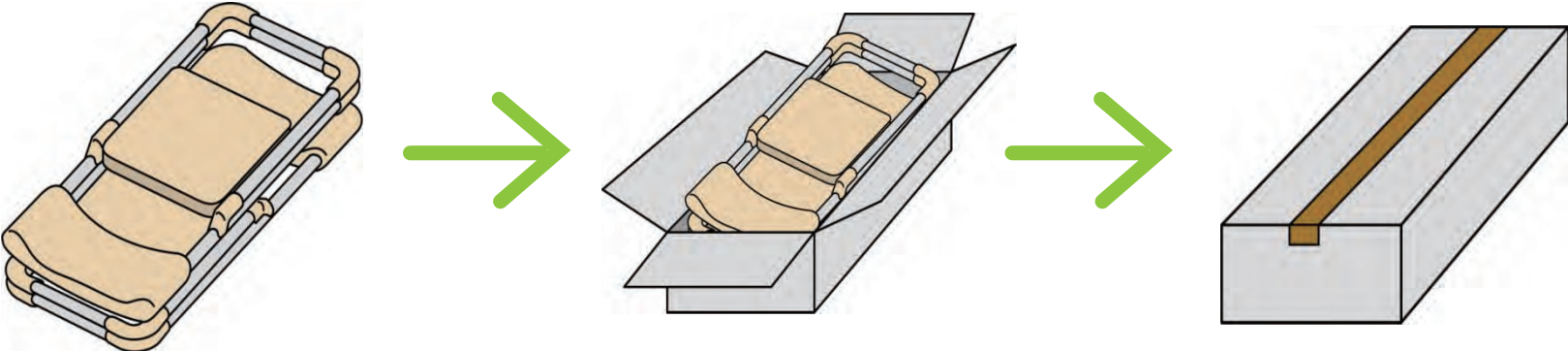
Developing
an Eco-Packaging Box
**the ultimate cardboard box
for HECMEC**

Development based on
unprecedented cases and ideas

Safety

Low Cost

● Conventional cardboard case based on type-A idea



Half-width lid is required

Increase in wasted sheets

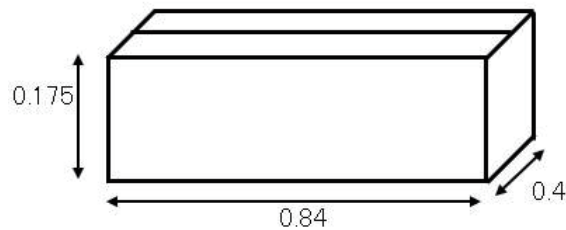


Change the method of insertion!
Chance to reduce the area

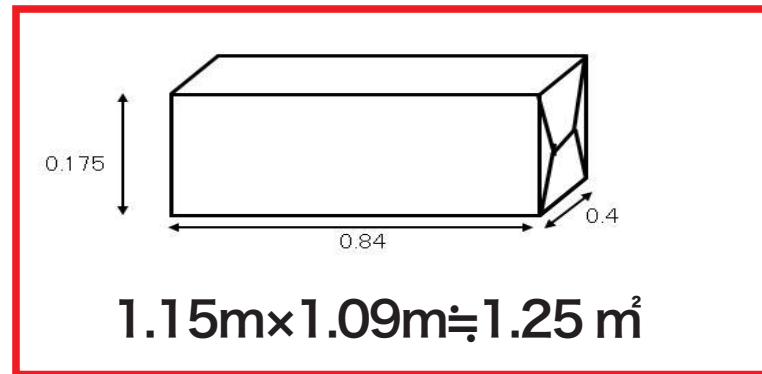
● Features of cases made by the Eco Stitcher



Let' s use **American locks (interlocking)** on both side!



$2.48\text{m} \times 0.58\text{m} \doteq 1.44 \text{ m}^2$

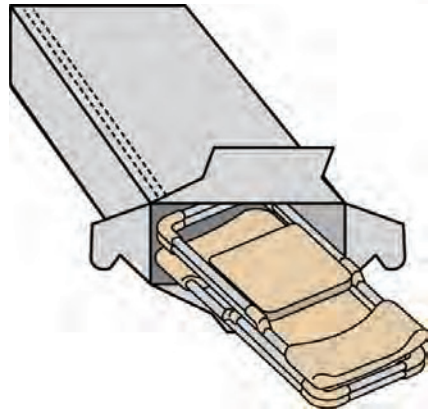


$1.15\text{m} \times 1.09\text{m} \doteq 1.25 \text{ m}^2$

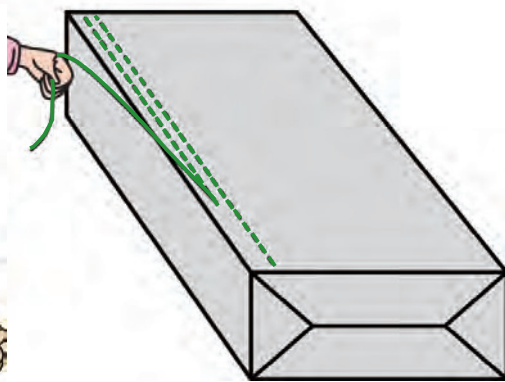
Approx. 14% (0.19 m²) reduction = Savings of 1 case per every 7 cases

= CO2 0.19 × 352.3g/ m² (survey by National Association of Cardboard Industries) = Reduction of 66.9 grams

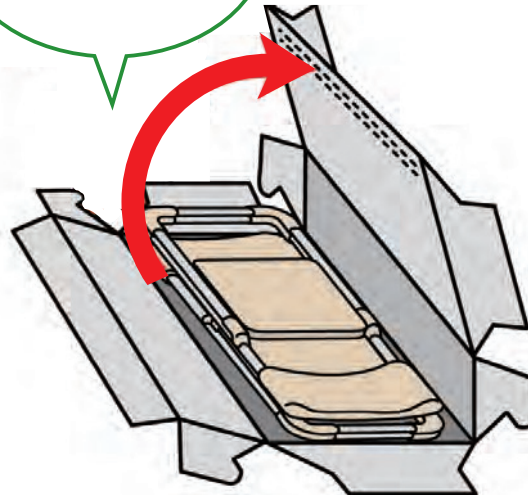
Box with American locks on both sides



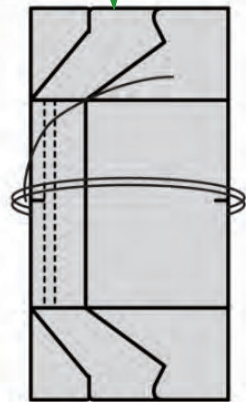
Safe because a utility knife is unnecessary



Easily removed!



The box can be tied using the string which was removed, making cleanup simple!



Package Completion

